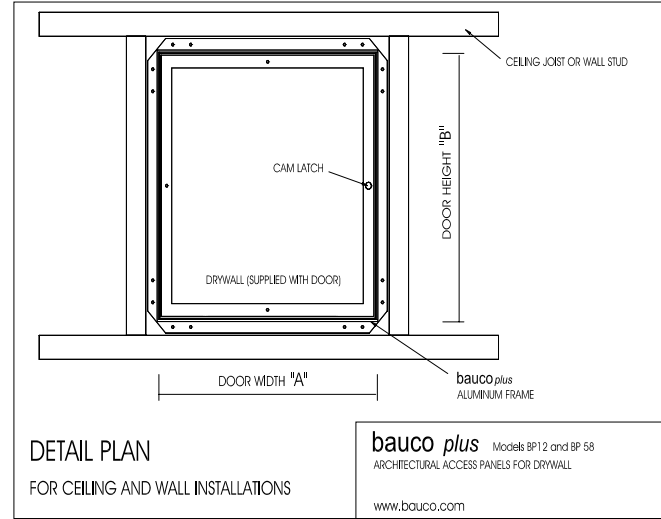
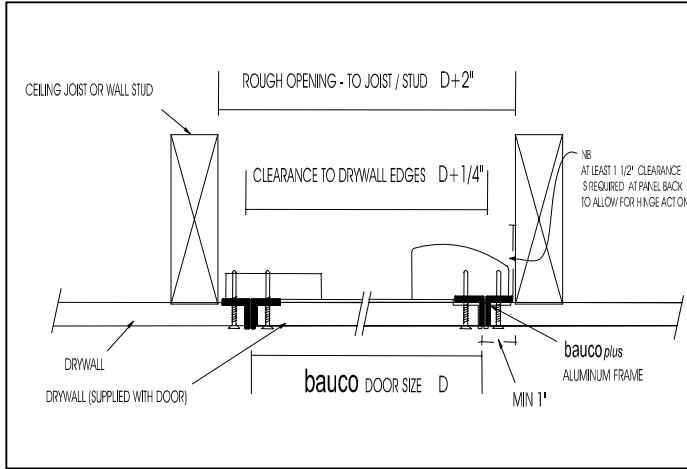


bauco plus Access Panel Solutions

Shop Drawing/Cut Sheet

Section 08310

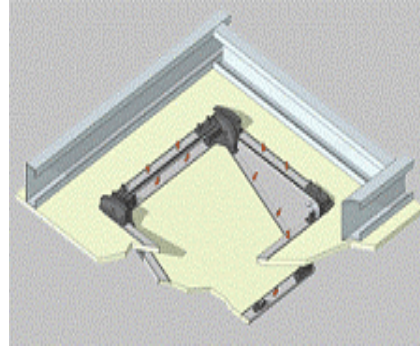


Rough opening / preparation:

Clearance between framing members should be door size plus minimum 2 inches, max 8 inches. Opening in gypsum board is door size plus 1/4 inch, this results in a lip of board around the opening of width min 7/8", max. 3 7/8" to the nearest stud/joist.

Detailed illustrated instructions with each panel. Panel to be installed while hanging gypsum board, because it is fastened to the board prior to finishing.

Installation Details



- Access panels for wall and ceiling installation
- Flush-mounting to gypsum board
- Simple installation with common drywall tools
- Self-adjusting frame for easy placement in wall/ceiling

- To be installed by drywaller, while boarding, prior to mudding/taping
- Time-saving techniques and tools, no beads required
- Unique innovative installation aide
- Frame and accessories allow clean flush finishing with closed door in place



Our Experience



Your Success

Mailing Address:

APS Access Panel Solutions Inc.
407 St. Charles Street
Victoria, BC
Canada
V8S 3N4

Communications:

Ph: (250) 592-0033
Fax: (250) 595-0513
Toll Free 1-877-592-0033
Toll Free Fax 1-877-592-7587
info@accesspanelsolutions.com
www.accesspanelsolutions.com

